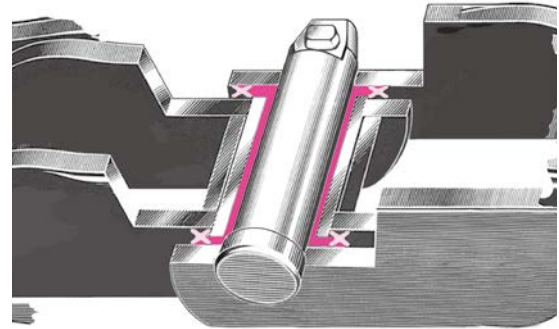


## Sealed Chain

By placing a seal ring between the inner and outer plates, this conveyor chain has grease enclosed between the pins and bushings. Chain endurance is significantly improved with this design as friction between the pins and the bushings is substantially lowered.

- Heat resistance of seal rings is approx. 80°C.
- Sprockets for Standard Conveyor Chains can be used.
- Various attachments are available upon request.

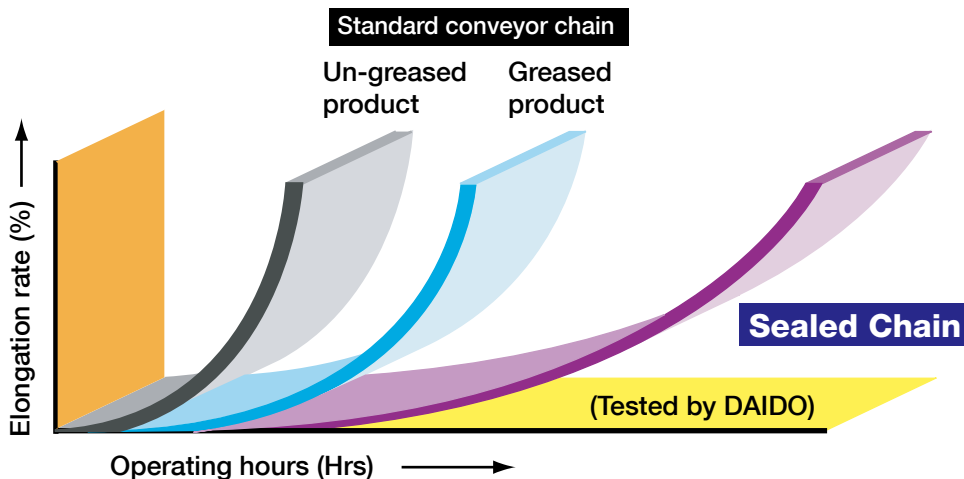


## Application examples

- Equipment with tendency to elongate chains.
- Equipment used in severe circumstances.
- Maintenance-free is needed.
- Conveyor lines, construction machinery.

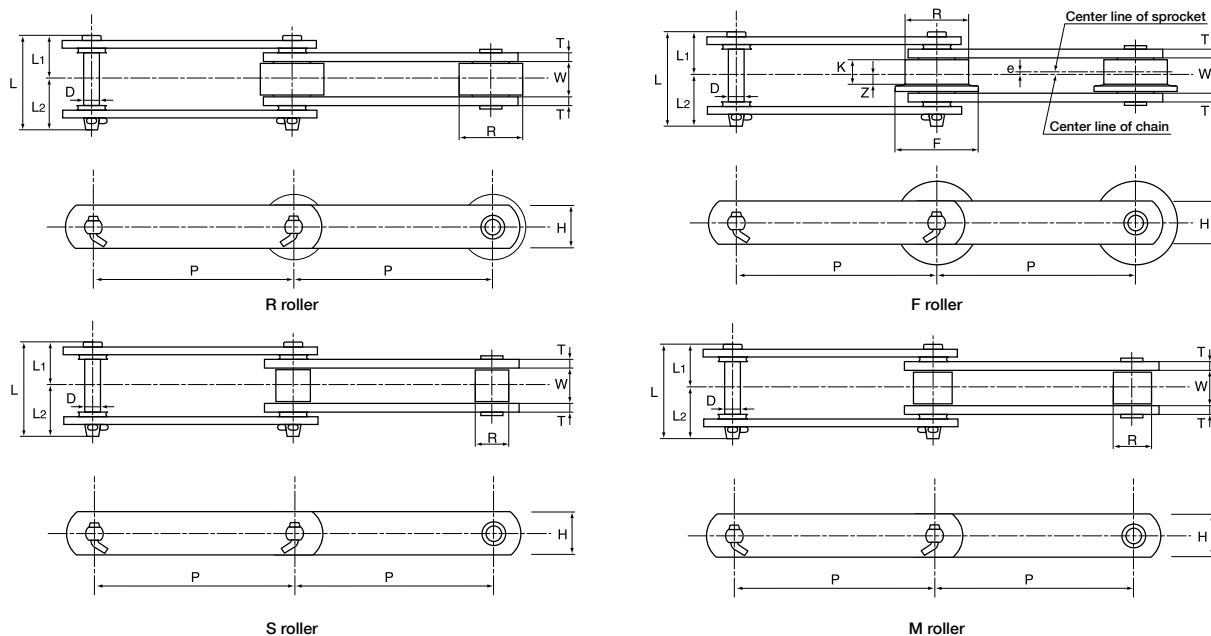
## Comparison of Wear Resistance (no lubrication during testing)

- Comparison of Wear Resistance (no lubrication during testing)



- By lubricating the Sealed Chain from time to time, chain life can be further lengthened and the effects of rust resistance can be expected as well. Applicable lubrication oil: SAE30 to SAE40  
Do not use gasoline, phosphate ester hydraulic fluids, and chemicals such as benzol, trichlene, and acetone, as they may damage the seal rings.

## Dimensional Drawings: Sealed Chains



Chain No.		Avg. tensile strength kN (kgf)		Pitch	Width	R-roller	F-roller					S-roller	M-roller	Pin				Plate		Approx. weight kg/m			
Chain size	Roller type	Standard A,J	Heavy duty K,E	P	W	R	R	F	K	e	Z	R	R	D	L	L1	L2	T	H	R-roller	F-roller	S-roller	M-roller
<b>DK 19200V</b>	<b>R,F,S,M</b>	186 (19,000)	250 (25,500)	200	36.5	65	65	85	24	4	8	34.9	38.1	15.9	94.3	43.8	50.5	8	45	11.6	12.2	8.5	8.7
<b>DK 19250V</b>	<b>R,F,S,M</b>			250																10.4	10.9	8.0	8.2
<b>DK 19300V</b>	<b>R,F,S,M</b>			300																9.6	10.1	7.6	7.9
<b>DK 25200V</b>	<b>R,F,S,M</b>	245 (25,000)	353 (36,000)	200	51.8	80	80	105	35.5	5	12.5	40.1	44.5	19.1	117.9	54.9	63.0	9	50	18.3	19.6	11.5	12.0
<b>DK 25250V</b>	<b>R,F,S,M</b>			250																16.0	17.1	10.7	11.1
<b>DK 25300V</b>	<b>R,F,S,M</b>			300																14.6	15.4	10.0	10.4
<b>DK 19152V</b>	<b>R,F,S,M</b>	186 (19,000)	250 (25,500)	152.4	36.5	57.2	57.2	75	24	4	8	34.9	38.1	15.9	94.3	43.8	50.5	8	45	11.9	12.3	9.2	9.5
<b>DK 25152V</b>	<b>R,F,S,M</b>	245 (25,000)	353 (36,000)	152.4	37.5	69.9	69.9	90	25	4	8.5	40.1	44.5	19.1	103.9	47.8	56.1	9	50	16.5	17.4	12.1	12.7

- Note: 1. The avg. tensile strength of the heavy duty chain is about 90% of the Standard Conveyor Chain.  
 2. Sprockets for Standard Conveyor Chain can be used.  
 3. The heat resistance of the seal rings is about 80°C.  
 4. Consult us for sizes not mentioned above, heat resistance higher than 80°C, or other options like adding grease holes to pins.  
 5. Ask us for delivery time.